

EXCLUSIVE FEATURES



Convenient range of motion adjustment. Cable release latch handle easily adjusts the press arm to chest, incline, shoulder presses and mid-row while in the seated position.



Swivel low pulley station designed for unrestricted movement in a tight area.



Built-in beverage holder and hangers for accessory items.



Turn-twist and lock add-on weights: 2.5 lbs. and 5 lbs. increments.

YOU GET TO CHOOSE:

Superbly crafted two-tone upholstery pads that offer both functionality and contemporary styling.



Unique gravity-latch leg developer allows you to change from leg extension to seated leg curl exercises with just one click. Fully adjustable self-locking thigh hold down roller pads.



*Primary: Wine
Secondary: Rose Brick*



*Primary: Black
Secondary: Cadet*



*Primary: Azure
Secondary: Fjord*

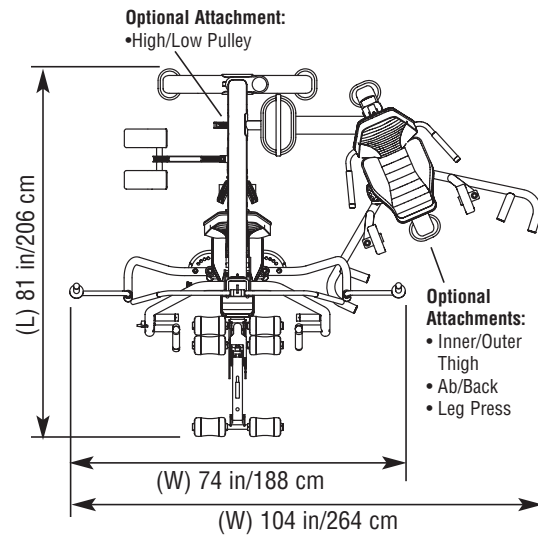


QUALITY, PRESENTATION AND PERFORMANCE

For three generations, TuffStuff has pioneered the industry's standard for innovations and design functions.

With our proven capabilities and reputation, you can be assured of our high standards of quality and a name that you can trust for reliability, experience and support.

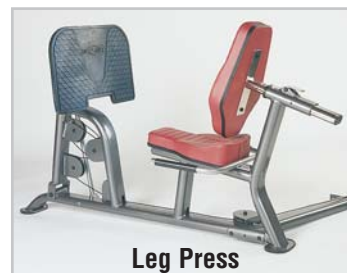
AXT-5



Basic Unit: (L) 81" x (W) 74"
 With Ab/Back: (L) 90" x (W) 98"
 With High/Low Pulley: (L) 81" x (W) 74"
 With Leg Press: (L) 88" x (W) 98"
 Height: 84 in/213 cm
 Shipping Weight: Basic Unit 450 lb/204 kg

NOTICE: TuffStuff continually engages in research related to product improvement. As a result, the product received by the customer may differ slightly from its published description. Improvements in materials, production techniques and design refinements may at any time be introduced into our products. TuffStuff reserves the right to make changes in its product without notice.

OPTIONAL ATTACHMENTS



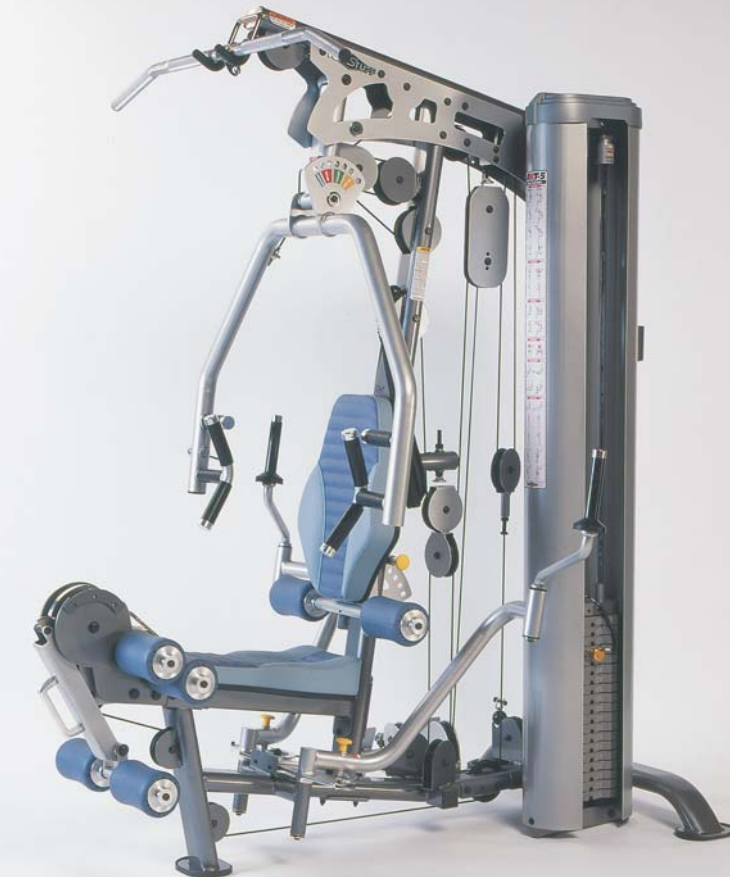
SPECIFICATIONS & WARRANTY

- "Off-the-floor" 3-point contact design
- Space efficient all-frontal work stations
- 2 x 4" 11-gauge oval tubular steel main frame
- Powder coat finish – Ebony Chrome accented with Platinum Sparkle
- High density cushions upholstered in two-tone premium grade virgin vinyl and double-stitched
- Upholstered roller pads
- USA-Made/Certified 2200 lbs. test 3/16" military-spec nylon coated aircraft cable
- 1:1 cable pick-up weight ratio (basic unit)
- Built-in cable-tensioner adjustment to eliminate slack and cable-play
- Black nylon pulleys with sealed bearings, also available with optional aluminum pulleys
- 3/4" hard chrome-finish solid steel guide rods
- Full length powder coated weight shields
- 200 lbs. cast iron weight plates

LIFETIME WARRANTY

AXT-5 used only in a home environment is warranted for LIFE* on everything to the original purchaser.

*See Assembly Manual for specific information on warranty, parts, service and labor. Or call 800-961-9377.



AMERICA'S PREMIER EXERCISE EQUIPMENT

THE YEAR'S TOP DESIGN & STYLE



1325 E. Franklin Avenue, Pomona, CA 91766 909-629-1600 Fx 909-6290-4967 info@tuffstuff.net

