

*impress yourself.*



# Sunray

The short break for your soul



# Bring a good feeling into your home

As if we weren't already stressed enough, our modern lifestyles increase that pressure. It is therefore important that we make a little time for ourselves and simply relax and unwind once in a while.

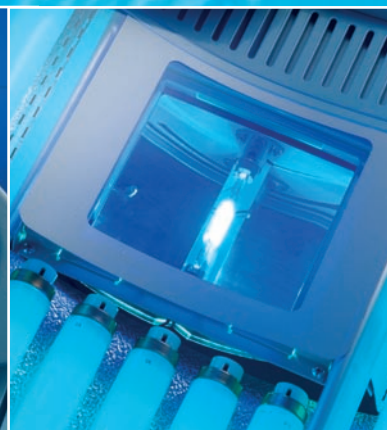
A generous sunbathing session can really work wonders and help us to have a nice tan and look healthy. With the Sunray, Dr. Kern brings the sun into your home. In any weather and on any day.

The modern solarium is suitable for both private and commercial use. Whether in the home, in hotels, beauty salons or fitness studios – Sunray is at home everywhere. To fit in perfectly with all requirements, the model is available in three versions.

The Sunray 27/1 and Sunray 33/2 are equipped with separately activated 400 Watt face tanning lamps with a blue filter. The Sunray 29/0 is equipped with 5 combi-lamps in the canopy. All tanning lamps naturally comply with the latest standards for safe and gentle tanning.

When it comes to design too, Sunray is also a work of art in every respect. With its elegant, high quality upper section, and the standard titanium ribbed design, Sunray is also available in high gloss acrylic panelling in blue, green and orange at no extra cost.

Optionally fitted with powerful body fan.



Convenient 30 minute digital timer.

400 Watt face tanning lamp with blue filter, separately activated in the 27/1 and 33/2.



All Sunray models can be equipped with an all-over body fan as an option, which blows fresh air into the tanning tunnel from the foot of the sunbed. An operating hours counter tells the user when the lamps need to be changed. All models come fitted as standard with a 30 minute digital timer. All models are also prepared for coin operation. Models 27/1 and 29/0 run from a 230 Volt power supply, while the model 33/2 requires a 3-phase power supply.

Standard version: titanium ribbed design

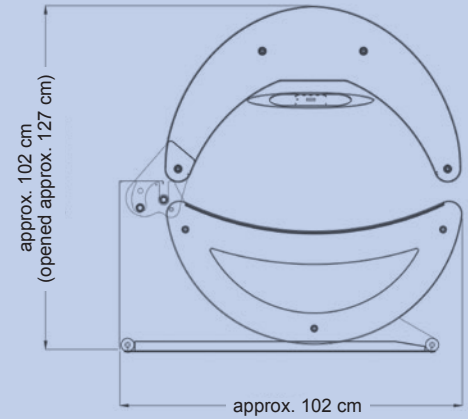
Optional: orange

Optional: green

Optional: blue

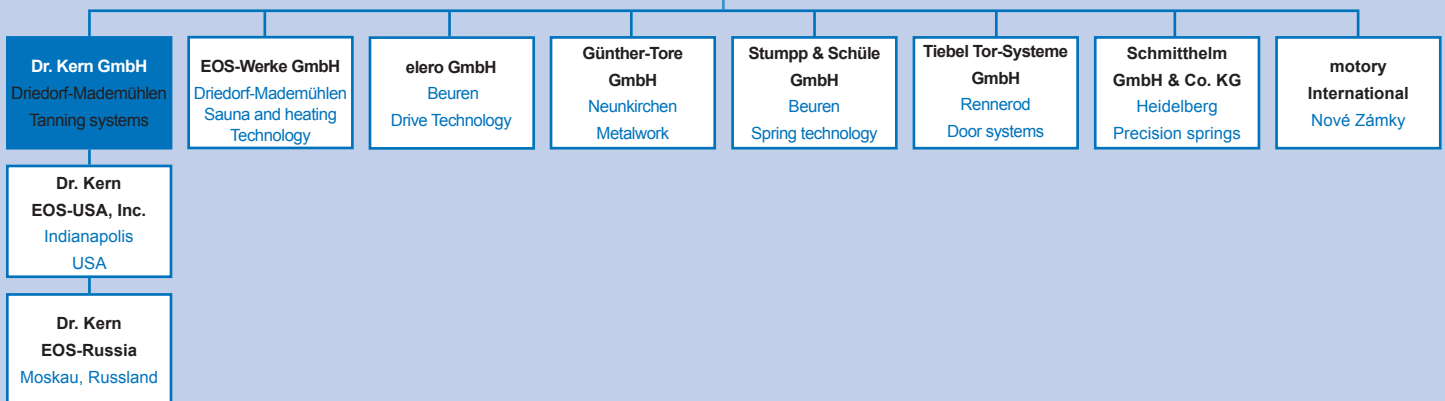
### Technical information Sunray

| Model                               | 27/1                    | 29/0                                | 33/2                    |
|-------------------------------------|-------------------------|-------------------------------------|-------------------------|
| <b>Tubing Canopy</b>                | 8 x 100 W, 5 x 80 W     | 12 x 100 W<br>5 x 100 W combi lamps | 9 x 100 W, 10 x 80 W    |
| <b>Bench Face tanner</b>            | 14 x 100 W<br>1 x 400 W | 12 x 100 W<br>-                     | 14 x 100 W<br>2 x 400 W |
| <b>Lamp length</b>                  |                         |                                     |                         |
| Canopy                              | 1,76 m / 1,50 m         | 1,76 m                              | 1,76 m / 1,50 m         |
| Bench                               | 1,76 m                  | 1,76 m                              | 1,76 m                  |
| <b>Output approx.</b>               | 3.500 W                 | 3.400 W                             | 4.500 W                 |
| <b>Power supply</b>                 | 230 V/50 Hz             | 230 V/50 Hz                         | 400 V/50 Hz             |
| <b>Fuses</b>                        | 1 x 16 A                | 1 x 16 A                            | 3 x 16 A                |
| <b>Timer control</b>                | 30 minute digital timer | 30 minute digital timer             | 30 minute digital timer |
| <b>Dimensions in cm (L x W x H)</b> | 200 x 102 x 102         | 200 x 102 x 102                     | 200 x 102 x 102         |
| <b>Weight</b>                       | approx. 217 kg          | approx. 215 kg                      | approx. 235 kg          |



Unit length: 200 cm  
Tanning surface: 185 x 73 cm

## Günther-Group



Your Dr. Kern specialist:

Dr. Kern GmbH  
Adolf-Weiß-Straße 43  
35759 Driedorf-Mademühlen, Germany  
Telefon: +49 (0)2775 82-60  
Telefax: +49 (0)2775 82-483  
info@dr-kern.de · www.dr-kern.de